

■ Replacement Parts List

Notes: *Important safety notice:

 Components identified by Δ mark have special characteristics important for safety.

Furthermore, special parts which have purposes of fire-retardant (resistors), high-quality sound (capacitors), low-noise (resistors), etc. are used.

When replacing any of components, be sure to use only manufacturer's specified parts shown in the parts list.

*The parenthesized indications in the Remarks columns specify the areas. (Refer to the cover page for area.)

Parts without these indications can be used for all areas.

*Warning: This product uses a diode. Refer to caution statements on page 2.

*The "(SF)" mark denotes the standard part.

Ref. No.	Part No.	Part Name & Description	Remarks	Ref. No.	Part No.	Part Name & Description	Remarks
		INTEGRATED CIRCUIT(S)		D301	1SS291TA	DIODE	
				D302	MA4051MTA	DIODE	
				D303, 304	MA165	DIODE	
IC1	LM2940T5	I. C. REGULATOR	Δ	D305	MA723TA	DIODE	
IC201	LC7870NE	I. C. VIDEO AMP.	(GC)	D501	MA165	DIODE	
IC202	KM41C464P-8	I. C. 256K D. RAM	(GC)	D502	RSQCP1S53V	LED	
IC204	MC14576BFR2	I. C. BUFFER AMP.	(GC)	D503	PT381TB	LED	
IC301	M38173M6270F	I. C. FL. DRIVE/SYSTEM CONT.		D504	GL380TB	LED	
IC302	LA5608M-TE-L	I. C. BUS LINE/HALT/RESET		D601	SPR-305MDTF	LED	
IC401	LC66306A4C13	I. C. SYSTEM CONT.				COIL(S)	
IC501	BA6218	I. C. MOTOR DRIVE					
IC701	AN8802SCE1V	I. C. SERVO AMP.		L1, 2	BL02RN2R62T4	COIL	Δ
IC702	MN66271RA	I. C. SERVO PROCESSOR		L3, 4	ELEXT3R3KA9	COIL	
IC703	AN8389SE1	I. C. MOTOR DRIVE				OSCILLATOR(S)	
IC801	XRA4558FT1	I. C. L. P. F.					
IC802	TC4066BFTP1	I. C. SWITCHING		X201	RSXC14M3S01	OSCILLATOR (14. 3MHz)	(GC)
		TRANSISTOR(S)		X202	RSXC17M7S01	OSCILLATOR (17. 7MHz)	(GC)
				X301	EF0EC4234T3	OSCILLATOR (4. 23MHz)	
Q1	2SB1185EF	TRANSISTOR	Δ	X401	EF0EC4234T3	OSCILLATOR (4. 23MHz)	
Q2	2SC3311AIQST	TRANSISTOR	Δ	X701	RSXB16M9J01T	OSCILLATOR (16. 93MHz)	
Q5	2SB1238QRTV6	TRANSISTOR	Δ			DISPLAY TUBE	
Q202	2SB766-QRSTX	TRANSISTOR	(GC)	FL601	RSL018J-F	DISPLAY TUBE	
Q203	2SC2412KPR1X	TRANSISTOR	(GC)			SWITCH(ES)	
Q301	2SB621A-R	TRANSISTOR		S201	RSS2B006-M	SW. VIDEO OUT	(GC)
Q302	UN4212TA	TRANSISTOR		S501	RS12A001-2	SW. ROTARY POSITION	
Q303	2SB621A-R	TRANSISTOR		S502	RS11A005	SW. FULL OPEN	
Q304	2SC3311AIQST	TRANSISTOR		S503	RS11A005	SW. HALF OPEN	
Q501, 502	DTC143ESTP	TRANSISTOR		S601	EVQ21405R	SW. OPEN/CLOSE	
Q701	2SB709S	TRANSISTOR		S602	EVQ21405R	SW. PLAY	
Q801	UN4112	TRANSISTOR		S603	EVQ21405R	SW. F-SKIP	
		DIODE(S)		S604	EVQ21405R	SW. PAUSE	
				S605	EVQ21405R	SW. R-SKIP	
D1, 2	1SR35200TB	DIODE	Δ	S606	EVQ21405R	SW. STOP	
D3	MA4075MTA	DIODE	Δ	S607	EVQ21405R	SW. DISC 3	
D4, 5	MA167	DIODE		S608	EVQ21405R	SW. DISC 2	
D6	MA4051MTA	DIODE	Δ	S609	EVQ21405R	SW. DISC 1	
D7, 8	MA165	DIODE		S611	EVQ21405R	SW. REPEAT	
D9	MA185TA	DIODE	Δ	S612	EVQ21405R	SW. RANDOM	
D10, 11	MA185TA	DIODE	Δ	S613	EVQ21405R	SW. DISPLAY	
D12	MA4270HTA	DIODE	Δ				
D13	MA4051MTA	DIODE	Δ				
D15, 16	MA165	DIODE					
D201	MA110TX	DIODE	(GC)				

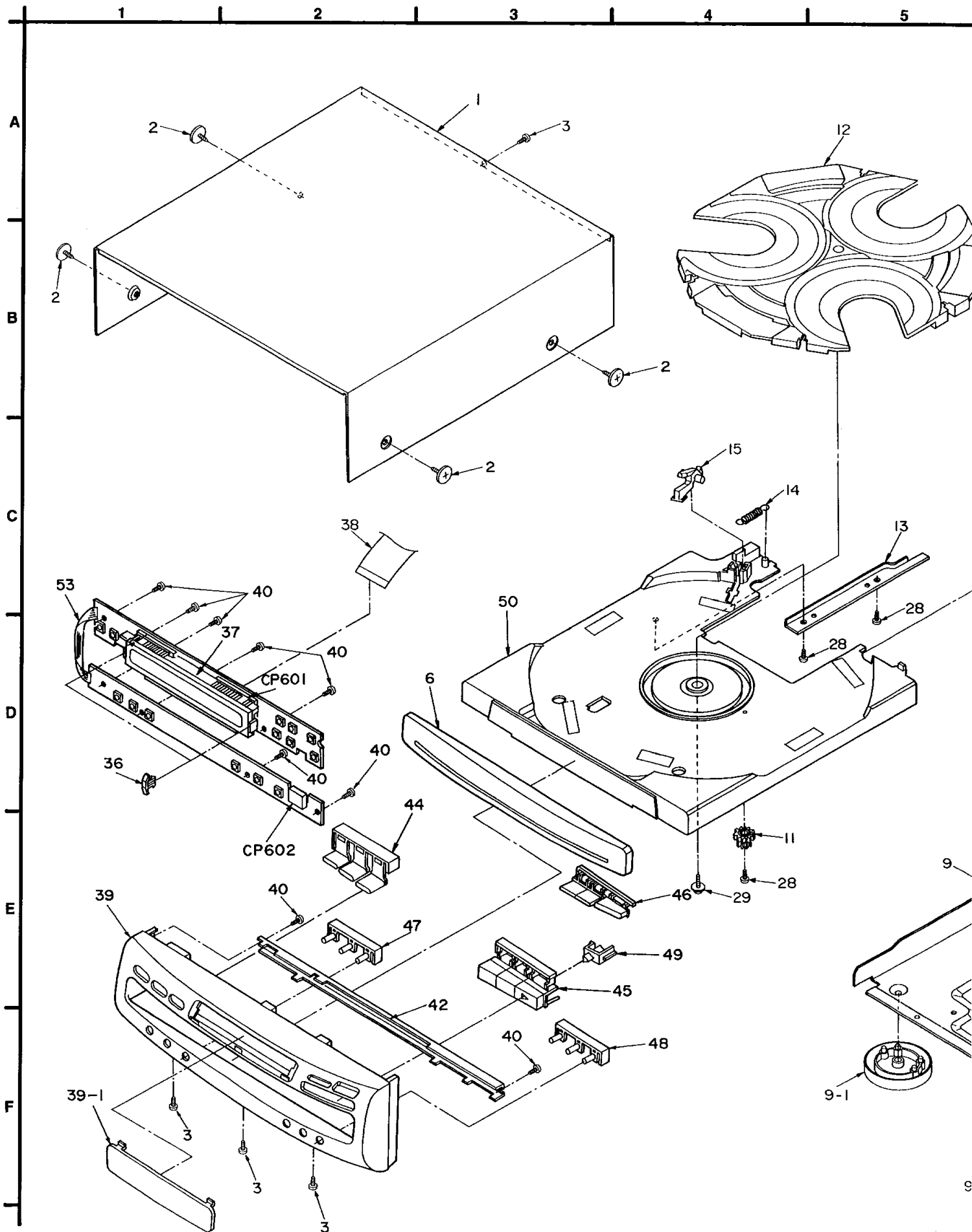
Notes : * Capacity values are in microfarads (μF) unless specified otherwise, P=Pico-farads (pF) F=Farads (F)
 * Resistance values are in ohms, unless specified otherwise, 1K=1,000 (OHM) , 1M=1,000k(OHM)

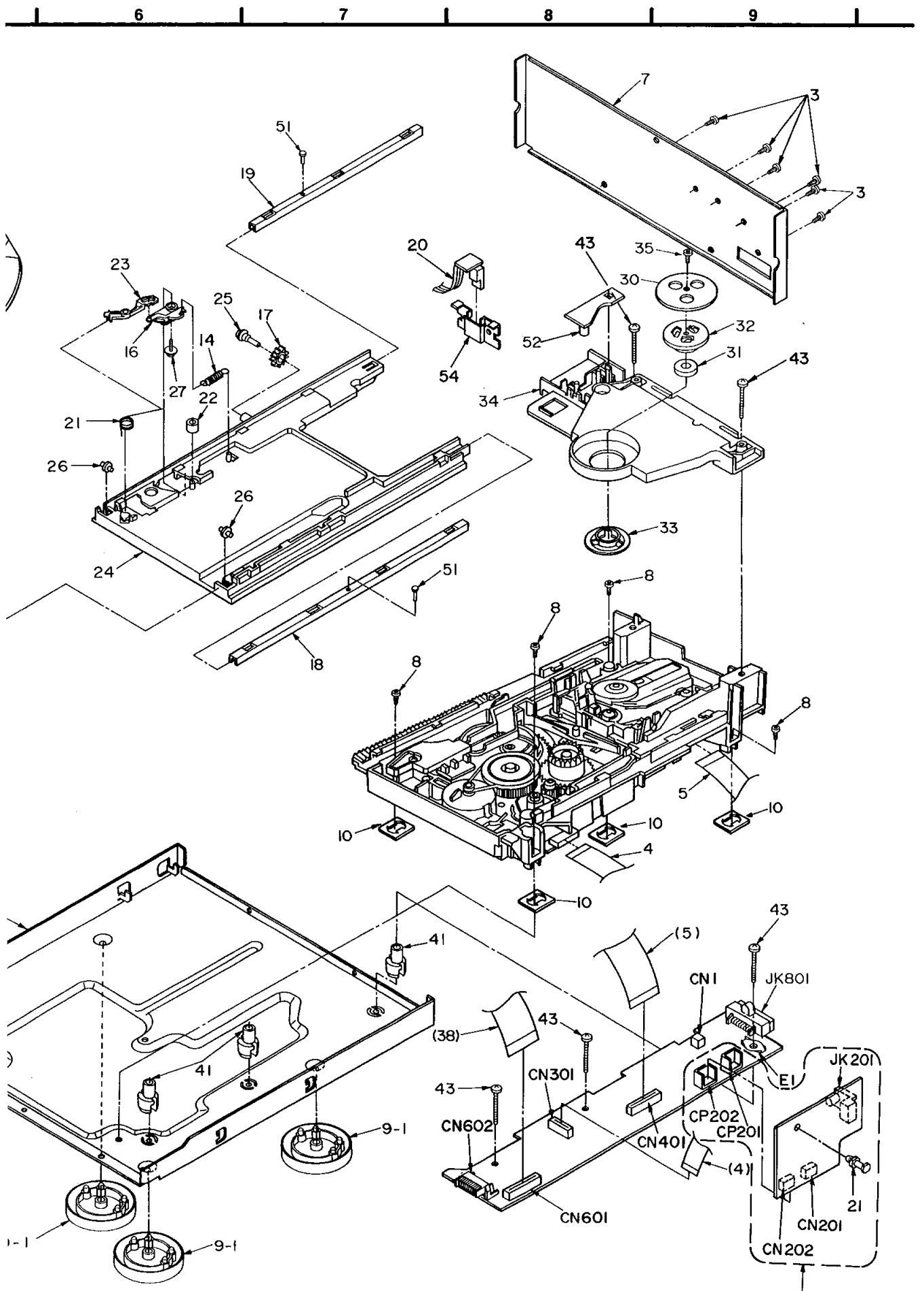
Ref. No.	Part No.	Values & Remarks	Ref. No.	Part No.	Values & Remarks	Ref. No.	Part No.	Values & Remarks
		RESISTORS	R324-328	ERDS2TJ103	1/4W 10K	R712	ERJ6GEYJ221V	1/10W 220
R2	ERDS2TJ102	1/4W 1K	R329	ERDS2TJ473	1/4W 47K	R714	ERJ6GEYJ121V	1/10W 120
R3	ERDS2TJ101	1/4W 100	R330	ERDS2TJ181T	1/4W 180	R717, 718	ERJ6GEYJ102A	1/10W 1K
R4	ERDS2TJ471	1/4W 470	R331	ERDS1FVJ6R8T	1/2W 6.8 Δ	R721	ERJ6GEYJ101V	1/10W 100
R5	ERDS2TJ223	1/4W 22K	R332	ERDS2TJ223	1/4W 22K	R722	ERJ6GEYJ563V	1/10W 56K
R8	ERDS2TJ220T	1/4W 22	R333	ERDS2TJ821	1/4W 820	R723	ERJ6GEYJ182V	1/10W 1.8K
R9	ERDS2TJ562	1/4W 5.6K	R334	ERDS2TJ472	1/4W 4.7K	R724	ERJ6GEYJ333V	1/10W 33K
R10, 11	ERDS2TJ562	1/4W 5.6K	R335	ERDS2TJ471	1/4W 470	R725	ERJ6GEYJ472V	1/10W 4.7K
R13, 14	ERD2FCVJ4R7T	1/4W 4.7 Δ	R336	ERD2FCVJ6R8T	1/4W 6.8 Δ	R726	ERJ6GEYJ473V	1/10W 47K
R15-22	ERDS2TJ100	1/4W 10	R337	ERDS2TJ471	1/4W 470	R727	ERJ6GEYJ103V	1/10W 10K
R23, 24	ERDS2TJ8R2T	1/4W 8.2	R401-403	ERDS2TJ102	1/4W 1K	R728	ERJ6GEYJ392V	1/10W 3.9K
R25-28	ERDS2TJ100	1/4W 10	R404-407	ERDS2TJ152	1/4W 1.5K	R731	ERJ6GEYJ392V	1/10W 3.9K
R29	ERQ16NKWR68E	1/6W 0.68	R408	ERDS2TJ104	1/4W 100K	R735, 736	ERJ6GEYJ101V	1/10W 100
R30, 31	ERDS2TJ271	1/4W 270	R409	ERDS2TJ103	1/4W 10K	R744	ERJ6GEYJ103V	1/10W 10K
R32	ERDS2TJ101	1/4W 100	R411	ERDS2TJ472	1/4W 4.7K	R745	ERJ6GEYJ155V	1/10W 1.5M
R33	ERDS2TJ562	1/4W 5.6K	R412	ERDS2TJ102	1/4W 1K	R748	ERJ6GEYJ182V	1/10W 1.8K
R34	ERDS2TJ471	1/4W 470	R413	ERDS2TJ472	1/4W 4.7K	R749	ERJ8GEYJ103V	1/8W 10K
R201-209	ERJ6GEYJ102V	1/10W 1K (GC)	R414	ERDS2TJ102	1/4W 1K	R801, 802	ERDS2TJ102	1/4W 1K
R210	ERJ6GEYJ101V	1/10W 100 (GC)	R415	ERDS2TJ105T	1/4W 1M	R803, 804	ERDS2TJ104	1/4W 100K
R211	ERJ6GEYJ271V	1/10W 270 (GC)	R416-419	ERDS2TJ221	1/4W 220 (GC)	R805-808	ERDS2TJ223	1/4W 22K
R212	ERJ6GEYJ104V	1/10W 100K (GC)	R421	ERDS2TJ223	1/4W 22K	R809, 810	ERDS2TJ273	1/4W 27K
R213	ERJ6GEYJ102V	1/10W 1K (GC)	R427	ERDS2TJ103	1/4W 10K	R811, 812	ERDS2TJ332	1/4W 3.3K
R214	ERJ8GEYJ101V	1/8W 100 (GC)	R428	ERDS2TJ223	1/4W 22K	R813, 814	ERDS2TJ104	1/4W 100K
R215	ERJ6GEYJ101V	1/10W 100 (GC)	R429	ERDS2TJ102	1/4W 1K	R815, 816	ERDS2TJ102	1/4W 1K
R216	ERJ6GEYJ103V	1/10W 10K (GC)	R501	ERDS2TJ271	1/4W 270	R817, 818	ERDS2TJ104	1/4W 100K
R217	ERJ6GEYJ562V	1/10W 5.6K (GC)	R601	ERDS2TJ821	1/4W 820	R819	ERDS2TJ103	1/4W 10K
R218-221	ERJ6GEYJ223V	1/10W 22K (GC)	R602	ERDS2TJ102	1/4W 1K	R820	ERDS2TJ100	1/4W 10 (GC)
R222	ERJ8GEYJ680V	1/8W 68 (GC)	R603	ERDS2TJ122	1/4W 1.2K			CHIP JUMPER(S)
R223	ERJ6GEYJ103V	1/10W 10K (GC)	R604	ERDS2TJ152	1/4W 1.5K	J1-4	ERJ6GEYOR00V	1/10W 0 (GC)
R224	ERD2FCVJ4R7T	1/4W 4.7 Δ (GC)	R605	ERDS2TJ182	1/4W 1.8K	J7-9	ERJ6GEYOR00V	1/10W 0 (GC)
R225	ERJ6GEYJ102V	1/10W 1K (GC)	R606	ERDS2TJ222	1/4W 2.2K	J11	ERJ6GEYOR00V	1/10W 0 (GC)
R229, 230	ERJ8GEYJ471V	1/8W 470 (GC)	R607	ERDS2TJ332	1/4W 3.3K	J701, 702	ERJ8GEYOR00A	1/8W 0
R231-235	ERJ6GEYJ101V	1/10W 100 (GC)	R608	ERDS2TJ472	1/4W 4.7K	J707-709	ERJ8GEYOR00A	1/8W 0
R240	ERJ6GEYJ102V	1/10W 1K (GC)	R609, 610	ERDS2TJ104	1/4W 100K	J714	ERJ8GEYOR00A	1/8W 0
R241	ERJ6GEYJ472V	1/10W 4.7K (GC)	R611	ERDS2TJ821	1/4W 820	J716-718	ERJ8GEYOR00A	1/8W 0
R301-304	ERDS2TJ101	1/4W 100	R612	ERDS2TJ102	1/4W 1K	J721	ERJ6GEYOR00A	1/10W 0
R305	ERDS2TJ104	1/4W 100K	R613	ERDS2TJ122	1/4W 1.2K	J724-726	ERJ6GEYOR00A	1/10W 0
R306	ERDS2TJ103	1/4W 10K	R614	ERDS2TJ152	1/4W 1.5K	J728, 729	ERJ8GEYOR00A	1/8W 0
R307	ERDS2TJ101	1/4W 100	R615	ERDS2TJ182	1/4W 1.8K	J731, 732	ERJ6GEYOR00A	1/10W 0
R308, 309	ERDS2TJ102	1/4W 1K	R701	ERJ6GEYJ100	1/10W 10			CAPACITORS
R310, 311	ERDS2TJ221	1/4W 220 (GC)	R702	ERJ6GEYJ471V	1/10W 470	C1, 2	ECBT1E103ZF	25V 0.01 μ
R312	ERDS2TJ470	1/4W 47	R703	ERJ6GEYJ823	1/10W 82K	C3	ECA1CM222B	16V 2200 μ Δ
R313, 314	ERDS2TJ101	1/4W 100	R704	ERJ6GEYJ102A	1/10W 1K	C4	ECEA1AKA470B	10V 47 μ
R315, 316	ERDS2TJ103	1/4W 10K	R705	ERJ6GEYJ103V	1/10W 10K	C5	ECBT1H102KB5	50V 1000P
R317, 318	ERDS2TJ221	1/4W 220	R706	ERJ6GEYJ102A	1/10W 1K	C6	ECEA1AKA221Q	10V 220 μ
R321, 322	ERDS2EJ121	1/4W 120	R707	ERJ6GEYJ473V	1/10W 47K			
R323	ERDS2TJ470	1/4W 47	R708	ERJ6GEYJ104V	1/10W 100K			
			R709	ERJ6GEYJ683V	1/10W 68K			
			R711	ERJ6GEYJ154V	1/10W 150K			

Ref. No.	Part No.	Values & Remarks	Ref. No.	Part No.	Values & Remarks			
C7	ECEAJKA221B	6.3V 220U	C713	ECUV1C104MBM	16V 0.1U			
C8, 9	ECA1VFQ121B	35V 120U	C714	ECEAJKA101I	6.3V 100U			
C10	ECA1EM101B	25V 100U Δ	C715	ECEAJKA470I	6.3V 47U			
C11	ECA1VM101B	35V 100U	C716	ECUE1H561KBN	50V 560P			
C12	ECA1HM101B	50V 100U	C717	ECUZ1E104MBN	25V 0.1U			
C13	ECBT1H102KB5	50V 1000P	C718	ECUV1C224KBM	16V 0.22U			
C201	ECAOJKF101B	6.3V 100U (GC)	C721	ECUV1H070DCN	50V 7P			
C202, 203	ECUV1C224KBM	16V 0.22U (GC)	C722	ECUV1H220JCN	50V 22P			
C205, 206	ECUV1H220GCN	50V 22P (GC)	C723	ECEAJKA221I	10V 220U			
C207	ECUV1H180GCN	50V 18P (GC)	C724	ECUV1C104MBM	16V 0.1U			
C208	ECUV1H270GCN	50V 27P (GC)	C725, 726	ECUV1H102JCN	50V 1000P			
C209	ECUV1H103KBN	50V 0.01U (GC)	C727, 728	ECEAJHPK010I	50V 1U			
C210	ECEAJKA470B	6.3V 47U (GC)	C730	ECUZ1E104MBN	25V 0.1U			
C211	ECEAJKA100B	16V 10U (GC)	C731, 732	ECEAJK221I	6.3V 220U			
C212	ECEAJKA470B	6.3V 47U (GC)	C733	ECUZ1E104MBN	25V 0.1U			
C213	ECUV1H102KBN	50V 1000P (GC)	C734	ECEAJKA221I	10V 220U			
C214	ECAOJM102B	6.3V 1000U (GC)	C735-737	ECUZNE104MBN	25V 0.1U			
C215	ECA1CM221B	16V 220U (GC)	C738	ECUV1C154KBN	16V 0.15U			
C216	ECUV1H102KBN	50V 1000P (GC)	C742	ECUV1E273KBN	25V 0.027U			
C217, 218	ECUV1H103KBN	50V 0.01U (GC)	C743	ECUZNE104MBN	25V 0.1U			
C219	ECUV1C224KBM	16V 0.22U (GC)	C744	ECUE1E822KBN	25V 8200P			
C220	ECUV1H101KCN	50V 100P (GC)	C745	ECUE1H102KBN	50V 1000P			
C301, 302	ECBT1E103ZF	25V 0.01U	C747	ECUE1H222KBN	50V 2200P			
C303	ECBT1H104ZF5	50V 0.1U	C748	ECUV1H471KBM	50V 470P			
C304	ECEAJKA101B	6.3V 100U	C803, 804	ECBT1H102KB5	50V 1000P			
C305	ECAOJM102B	6.3V 1000U	C807, 808	ECBT1H331KB5	50V 330P			
C306, 307	ECBT1H101KB5	50V 100P	C809, 810	ECBT1H121KB5	50V 120P			
C308	ECBT1H102KB5	50V 1000P	C811, 812	ECEAJKA470B	6.3V 47U			
C309, 310	ECEAJKA3R3B	50V 3.3U	C813, 814	ECEAJKA220B	10V 22U			
C311	ECEAJKA3R3B	50V 0.33U	C815, 816	ECBT1H101KB5	50V 100P			
C312	ECEAJKA22B	50V 0.22U						
C313	ECBT1E223ZF	25V 0.022U						
C314	ECBT1E103ZF	25V 0.01U						
C315, 316	ECBT1H101KB5	50V 100P						
C317	ECBT1H102KB5	50V 1000P						
C318	ECEAJKA470B	6.3V 47U						
C401	ECBT1E103ZF	25V 0.01U						
C402	ECBT1H104ZF5	50V 0.1U						
C403	ECBT1H102KB5	50V 1000P						
C404	ECBT1E103ZF	25V 0.01U						
C501	ECA1AKF820B	10V 82U						
C701	ECEAJKA220	6.3V 22U						
C702	ECEAJKA010I	50V 1U						
C703	ECEAJKA101I	6.3V 100U						
C704	ECUZ1E104MBN	25V 0.1U						
C705	ECEAJKA010I	50V 1U						
C706	ECUE1H101JCN	50V 100P						
C707	ECUV1E273KBN	25V 0.027U						
C708	ECUE1H472KBN	50V 4700P						
C709	ECUE1C473KBN	16V 0.047U						
C710	ECUE1H152KBN	50V 1500P						
C711, 712	ECUZ1E104MBN	25V 0.1U						

Ref. No.	Part No.	Part Name & Description	Remarks	Ref. No.	Part No.	Part Name & Description	Remarks
		CABINET PARTS					
1	RFKM0222-K	CABINET		46	RFKNLCH515PC	BUTTON (C)	
2	RHD30007	SCREW		47	RFKNLCH515PD	BUTTON (D)	
3	XTBS3+8JFZ1	SCREW		48	RFKNLCH515PE	BUTTON (E)	
4	REZ0555	FPC (14P)		49	RGL0226-Q	LEADING LIGHT PANEL	
5	REZ0639	FPC (23P)		50	RFKNLCH555PK	DISC TRAY ASS' Y	
6	RGK0612A-K	TRAY PANEL	(GC)	51	XTN2+6F	SCREW	
6	RGK0612-K	TRAY PANEL	(E)	52	RMN0222	LED HOLDER	
7	RFKHLCH515EK	REAR PANEL ASS' Y	(E)	53	REZ0644	FLAT CABLE (W601)	
7	RFKHLCH515GC	REAR PANEL ASS' Y	(GC)	54	RMN0261	ANGLE	
8	RHD30043	SCREW		55	RMN0086	P. C. B. SPACER	(GC)
9	RFKJLCH515PK	BOTTOM BOARD ASS' Y				LOADING PARTS	
9-1	RKA0011-3	FOOT		101	RDG0194-1	GEAR	
10	RMG0319-K	RUBBER		102	RDG0223	GEAR	
11	RDG0228	GEAR		103	RDG0224	GEAR	
12	RGTO014	ROTARY TRAY		104	RDG0245	GEAR	
13	RMA0681	ANGLE		105	RDG0244	GEAR	
14	RME0123	SPRING		106	RDK0022	GEAR	
15	RML0312	LEVER		107	RDK0023	GEAR	
16	RDG0225	GEAR		108	RFKPLCH555PK	MOTOR ASS' Y	
17	RDG0227	GEAR		109	RDPO058	GEAR	
18	RMA0654	ANGLE		110	RDV0025	BELT	
19	RMA0655	ANGLE		111	RMN0204	SENSOR HOLDER	
20	REZ0651	FLAT CABLE (W1)		112	RMN0222	LED HOLDER	
21	RME0139	SPRING		113	RHD26014	SCREW	
22	RMG0293-C	RUBBER		114	RMA0653	ANGLE	
23	RML0291	LEVER		115	RME0120	SPRING	
24	RMRO627-K	TRAY BASE		116	RME0121	SPRING	
25	RMS0382	SHAFT		117	RME0137	SPRING	
26	SDRD14	ROLLER		118	RML0177	LEVER	
27	XTW3+6S	SCREW		119	RML0288	LEVER	
28	XTBS26+10J	SCREW		120	RML0289	LEVER	
29	XTWS3+10T	SCREW		121	RMN0097	SLIDE PLATE (1)	
30	RDF0033	PLATE		122	RMN0098	SLIDE PLATE (2)	
31	RHM245ZA	MAGNET		123	RMN0099	SLIDE PLATE (3)	
32	RMRO334	MAGNET HOLDER		124	RMS0398	PLUNGER	
33	RMRO624-W	DISC CLAMPER		125	RMX0072	LEVER	
34	RFKNLCH515EK	CLAMP PLAT ASS' Y	(E)	126	RSJ0003	SOLENOID	
34	RFKNLCH515GC	CLAMP PLAT ASS' Y	(GC)	127	RMRO701-K	ROLLER	
35	XTB3+6JFZ	SCREW		128	XTB3+10JFZ	SCREW	
36	RMN0195	FL SPACER		129	RFKJLCH555PB	MECHANISM CHASSIS ASS' Y	
37	RMN0257	FL HOLDER		130	RAE0113Z	TRAVERSE UNIT ASS' Y	
38	REZ0638	FPC (23P)		130A	SHGD112	RUBBER (A)	
39	RFKGLCH515PK	FRONT PANEL ASS' Y		130B	SHGD113-1	RUBBER (B)	
39-1	RFKWO328-V	FL PANEL		130C	XQS17+A35FZ	SCREW	
40	XTBS26+8J	SCREW		131	RME0109	SPRING (A)	
41	SHE185-2	P. C. B. SPACER		132	RME0142	SPRING (B)	
42	RMA0764	ANGLE		133	RMS0123-1	PIN (A)	
43	XTB3+16JFZ	SCREW		134	RMS0350	PIN (B)	
44	RFKNLCH515PA	BUTTON (A)		135	RMRO698-K	TRAVERSE CHASSIS	
45	RFKNLCH515PB	BUTTON (B)		136	XTV2+6G	SCREW	
				137	RHD30046	SCREW	

■ Cabinet Parts Location





Loading Unit Parts Location

Note:

When changing mechanism parts, apply the specified grease to areas marked "x" as shown in the drawing.

Ref No.	Part No.
1	RFKXEM30L

